

## Agreements and Quality Management

### ISO 9001

ISO 9001 certified since 1991. ISO 9001 : 2008  
Notified Body : Lloyd's Register Quality Assurance.

### ISO 14001

Environmental Management certified to ISO 14001 : 2004  
Standards by Lloyd's Register Quality Assurance.

### PED 97/23/EC

Compliance with the European Pressure Equipment  
Directive. Guichon Valves is certified according to Appendix  
III Module H of Directive 97/23/EC.

### Welding

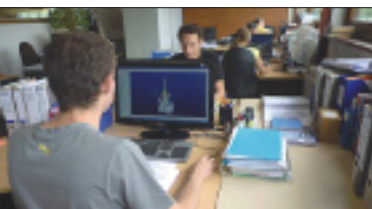
Welding procedures qualified as per ASME and EN standards.



Experienced and qualified welders



Machining shop equipped for in-house production



Design department : the company's heart



New production plant

## Leading Valves Manufacturer

GUICHON VALVES was created in **1921**. The relationship with IFP (Institut Français du Pétrole) started in 1978 by co-designing the sampling device for catalyst application. Along the years, GUICHON VALVES developed more products dedicated to demanding petrochemical applications for major companies worldwide.

The Company has full control over the design, manufacturing and testing of its products and also provides extensive after sales service.

Our know-how in manufacturing high performance valves, added to the expertise of our engineering and design department, have ensured constant progress in the development of innovative and effective solutions, produced by our Company.

**Guichon Valves** : an expert to optimize your process.



## Petrochemicals



GUICHON Valves also has a special know-how in transfer line and decoking line valves for steam cracking applications.

## Some of our worldwide clients

### - End users

ADNOC  
ANCAP  
CHENNAI PETROLEUM  
CHINA PETROLEUM  
FORMOSA CHEMICAL FIBER COMPANY  
IOCL  
MOZYR REFINERY  
PEMEX  
PETROCHINA  
PETRONOR  
REPSOL  
SHELL  
SSANGYONG / S-OIL  
TAMOIL  
TOTAL....

### - Engineering Companies

AXENS  
ENGINEERS INDIA LTD  
FLUOR DANIEL  
FOSTER WHEELER  
JGC  
QAPCO  
LARSEN & TOUBRO  
MIGHTY ENGINEERING & TECHNOLOGY  
MECANICA DE LA PENNA  
REPSOL  
SAMSUNG ENGINEERING  
SASOL TECHNOLOGIES  
SINOPEC  
SK ENGINEERING  
TECHNIP  
TECNICAS REUNIDAS  
VINCI TECHNOLOGIES

26 rue Paul Girod - Z.I. Bissy  
73000 Chambéry France

Tel : + 33 (0)4 79 44 59 00  
Fax : + 33 (0)4 79 44 59 01

E-mail : [info@guichon.com](mailto:info@guichon.com)  
[www.guichon.com](http://www.guichon.com)

P-FCC-US/03.11



Petrochemicals

# Process Valves for Fluid Catalytic Cracking



General Chemicals



Fine Chemicals



Plastics and Polymers



Nuclear and Navy



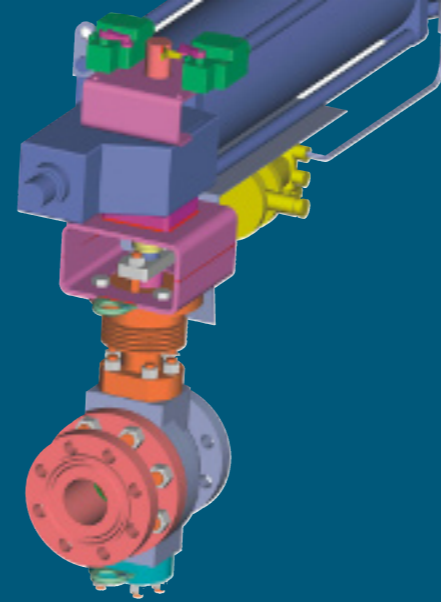
Cryogenic service



Other applications

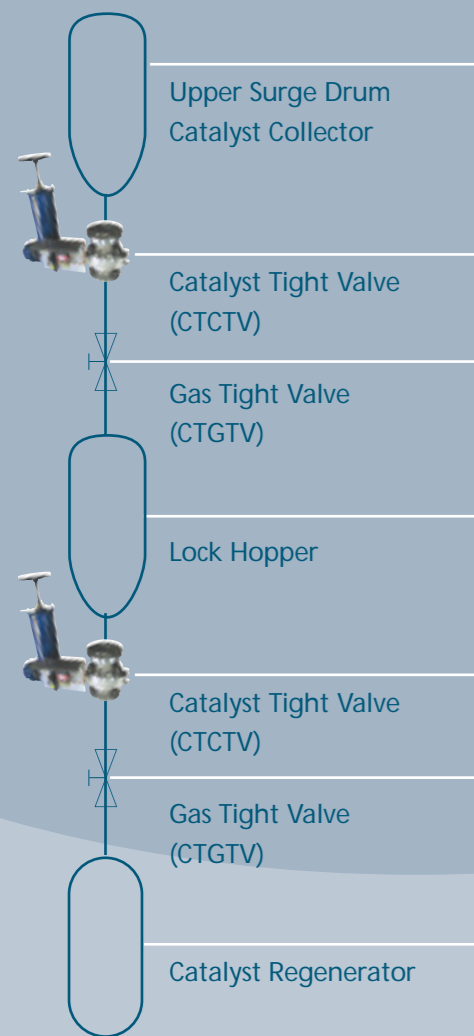


Increase valves reliability in Reforming and FCC processes

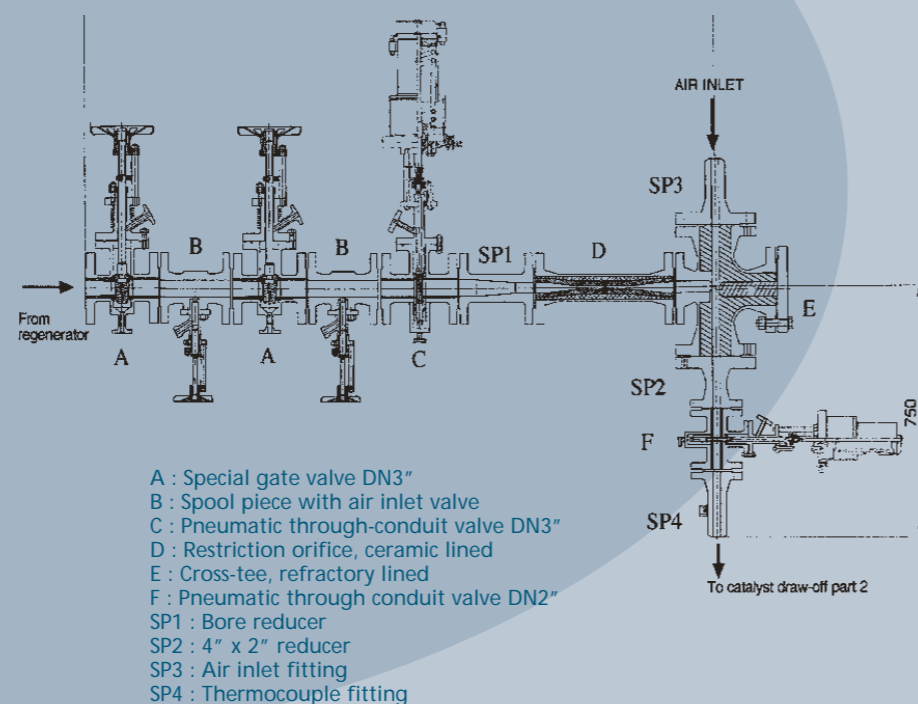


25 years experience in catalyst applications

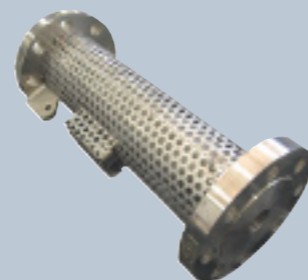
Reforming regeneration loop



Catalyst draw-off system in Fluid Catalytic Cracking (FCC) applications



- **Restriction orifice**  
 Size 3" - class 300  
 Fabricated construction  
 Stainless steel (321) - ceramic lining



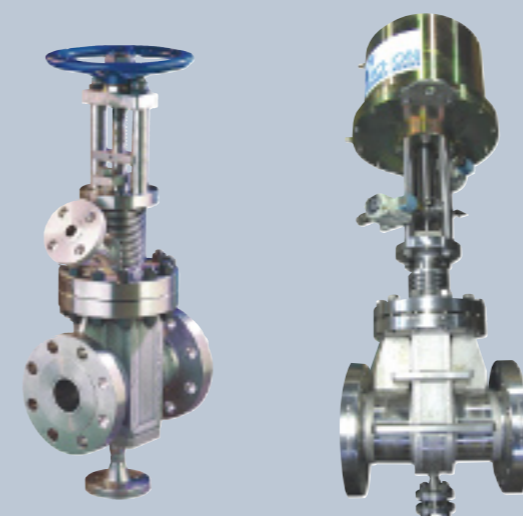
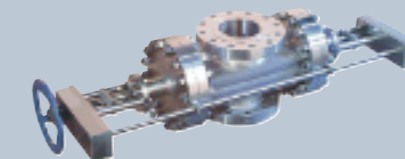
- **Ball valve**  
 Type 355 CTCTV Catalyst Tight Valve,  
 Size 3" and 4" - class 300 - A351 CF8C  
 Single acting pneumatic actuator with manual override + accessories



Our features include :

- All weldable high temperature materials
- Ceramic, concrete and full stellite linings allowing for longer service duration and improved safety.

- **Double slide valves for high temperature**  
 Type 258  
 Size 1" to 8" - class 150 to 600  
 Stainless steel (e.g. 321, 304...)



- **Gate valves for high temperature service**  
 Type 755  
 Size 2" to 6" - class 150 to 600  
 Fabricated construction  
 Stainless steel (e.g. 321, 304...)



- **Catalyst sampling device**  
 Type 100  
 Size 3" - class 300 or 600,  
 Stainless steel (321)

Main requirements of FCC applications :

- resistance to abrasion
- high temperature suitability
- long life and reliability